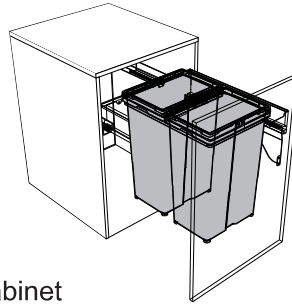
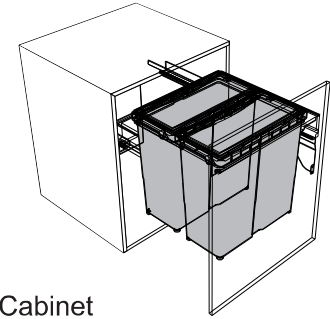


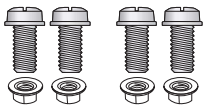
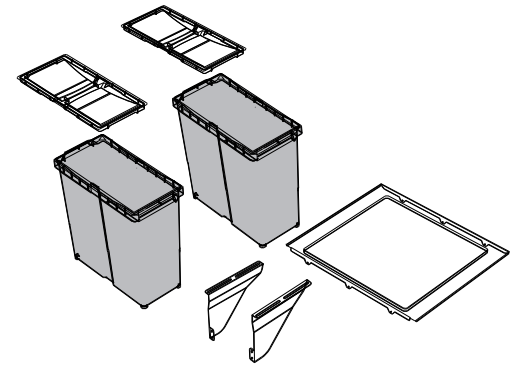
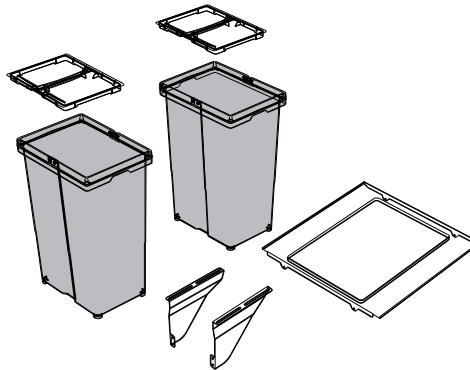
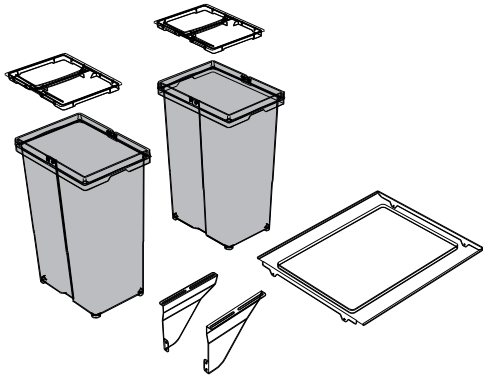
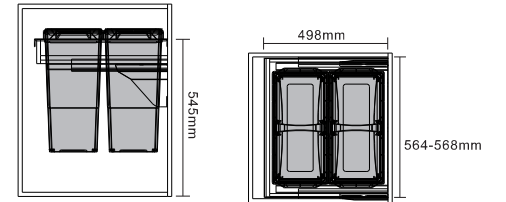
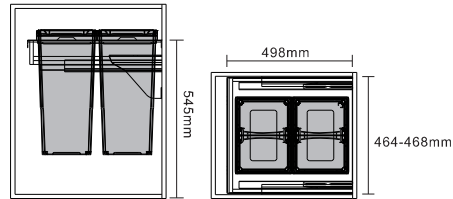
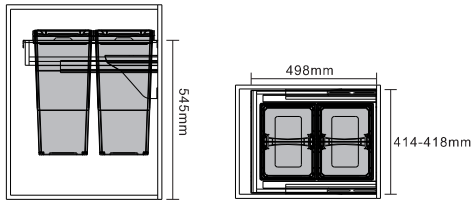
For 450 Cabinet



For 500 Cabinet



For 600 Cabinet



M5\*12mm Machine Screws with Nuts\*4PCS



M5\*10mm White Nylon Screws\*2PCS

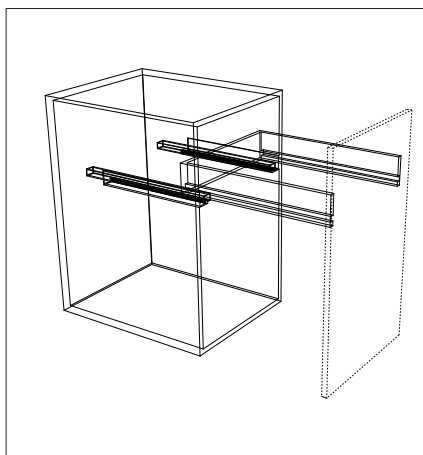


M3.5 Self-tapping Screws \* 6pcs (8pcs for 600 Cabinet)

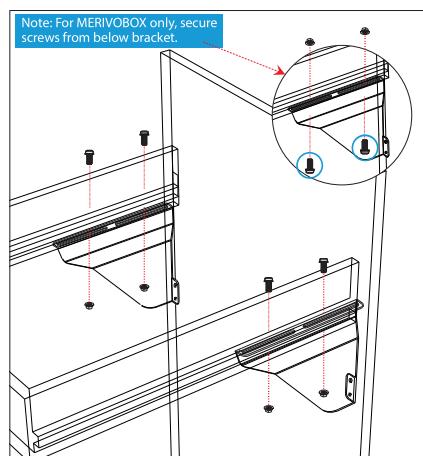


Diameter 15\*1mm Single-sided Silicone Adhesive Pads \*6PCS

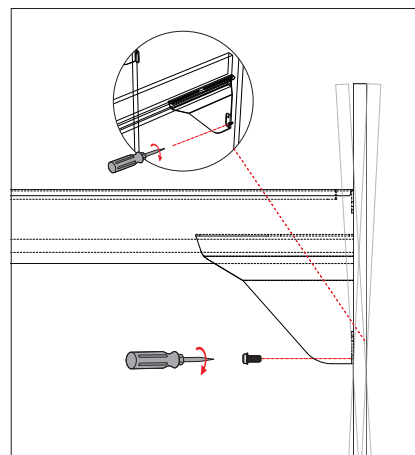
1. Ensure the drawer slide is installed correctly  
(Note: Remove the bottom supporting board).



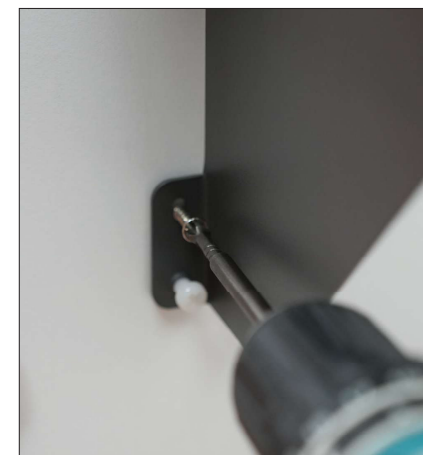
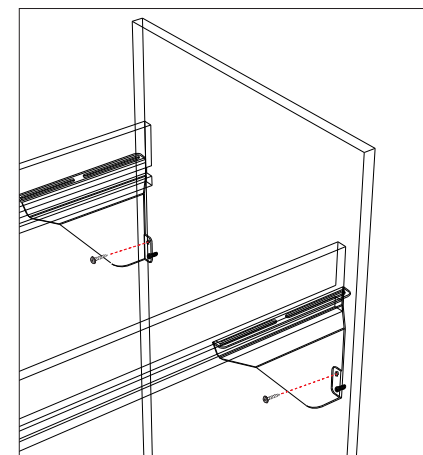
2. Use M5 machine screws to secure the triangular bracket to the drawer slide rail.



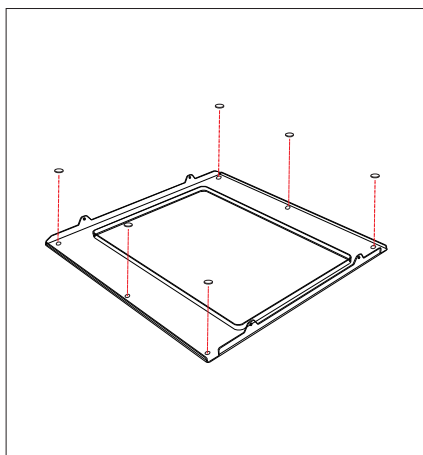
3. Use M5 nylon screws to adjust the perpendicularity of the rail to the door panel.



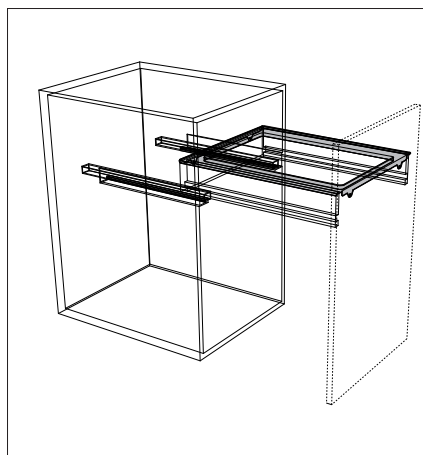
4. Tighten the M3.5 self-tapping screws to secure the door panel.



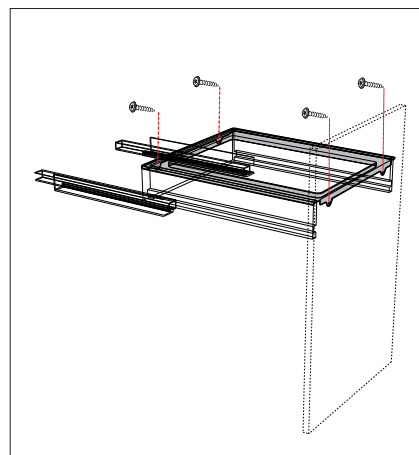
5. Attach M15x1mm silicone pads to the back of the metal frame.



6. The metal frame is directly clipped onto the drawer slide.



7. Use M3.5 self-tapping screws to secure the metal frame.



8. Finally, place the trash can into the metal frame.

